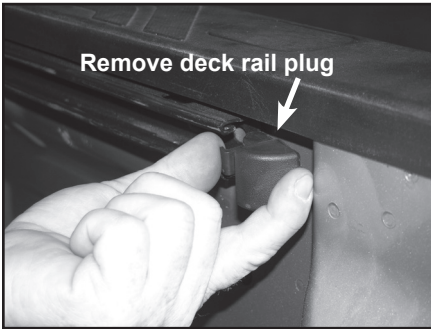




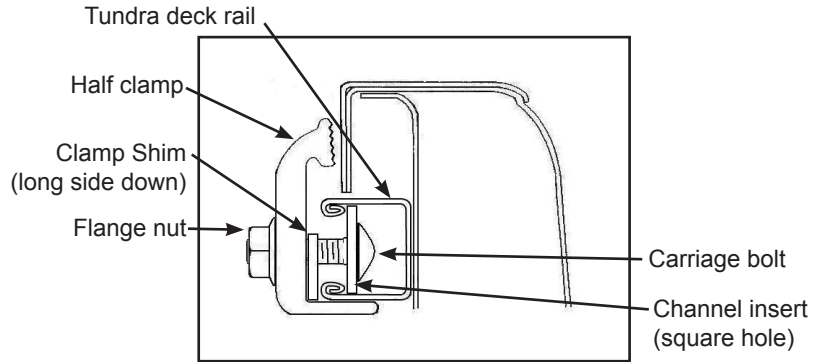
Roll-Up Cover Supplemental Instructions

For: 2007 Tundra with Deck Rail - Special clamping procedure for siderails

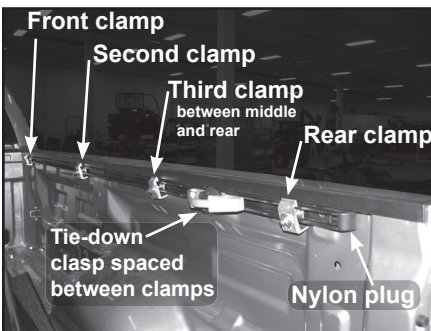
Tools Needed: Foot pound torque wrench



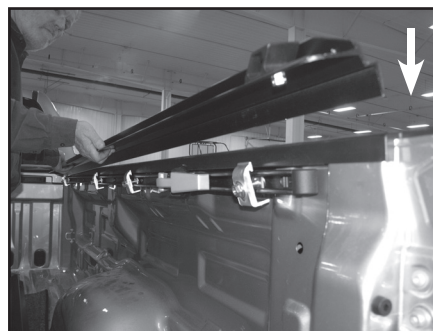
1 At rear of deck rail, remove plug (both sides). If tie-down clasps are on deck rail, loosen and remove them for now.



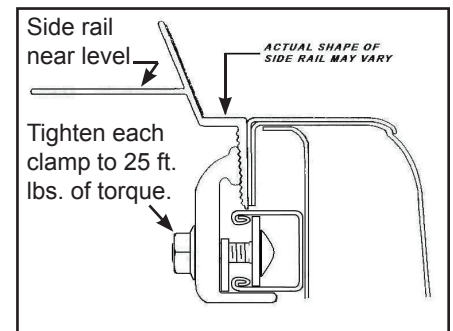
2 Orientate pre-assembled clamp and hardware so that when inserted into deck rail, clamp assembly looks as shown above.



3 Insert clamp assembly into deck rail evenly spaced as shown above 8 clamp kit shown - 4 per side (on 6 clamp kit, space 1 at front, 1 at center, 1 at rear). **NOTE: If truck is equipped with tie-down clasps, locate them as desired between cover clamps.** Replace nylon plug at rear of deck rail.



4 Place side rail in between clamps and inside lip of box - until it rests on deck rail. Front of side rail should butt up against box wall behind cab.



5 Hold side rail level and clamp assembly as shown and tighten clamp. When tight, clamp should hold rail nearly level. With each clamp in its proper place, tighten and torque them to 25 ft. lbs. Then refer to owners manual for remaining cover instructions.