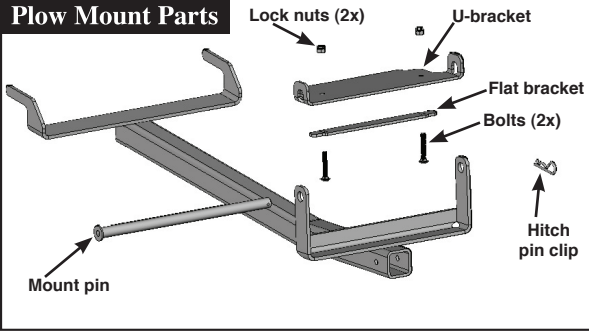
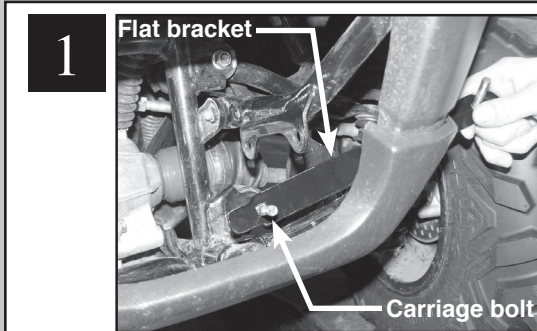


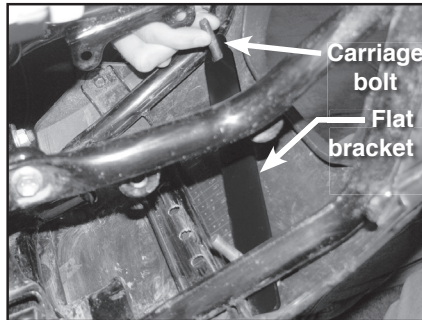
Plow Mount Parts



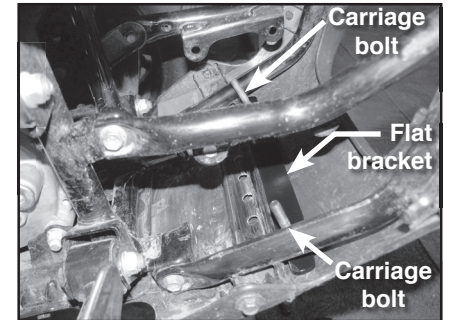
Tools: 1/2" wrench
Torque wrench ft. lbs. (or inch lbs.)
Protective eyewear



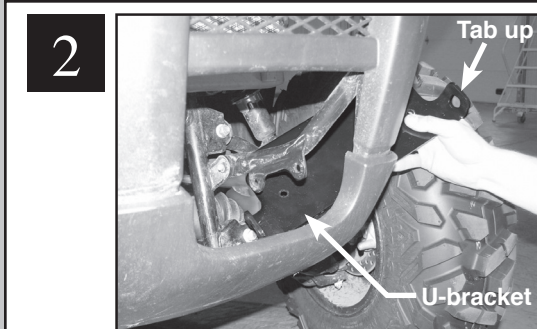
a) Insert carriage bolts in holes at each end of flat bracket. At front of machine, insert bracket and bolts as shown.



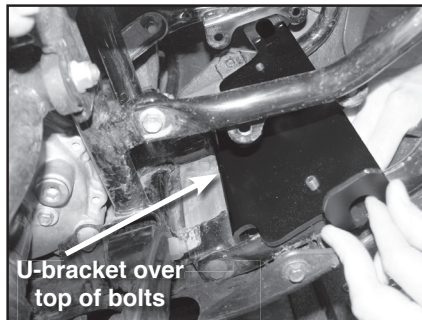
b) Maneuver flat bracket (with bolts pointed up) under frame tubing.



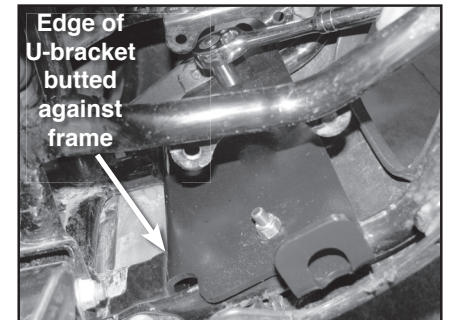
c) When in place, flat bracket should appear as shown above.



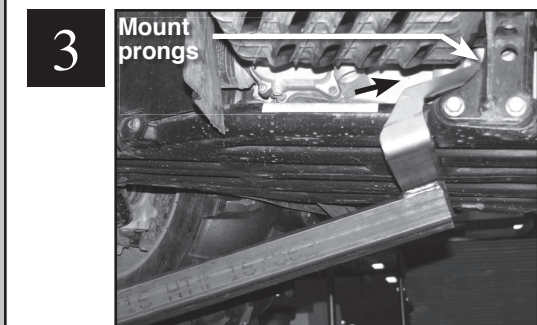
a) Next, place U-bracket (with tabs up) onto top of frame.



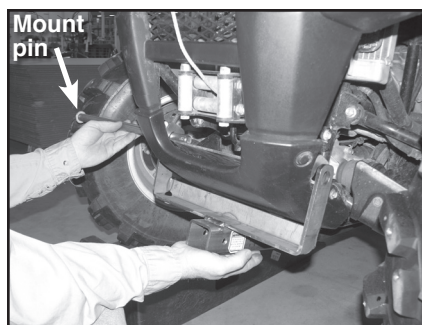
b) Align holes in U-bracket over bolts and position into place as shown.



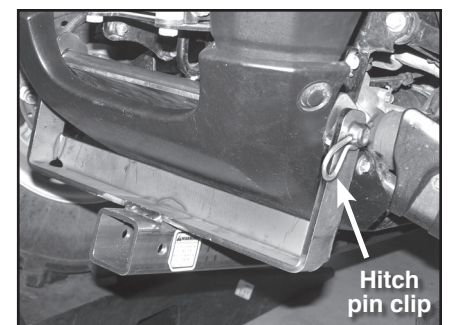
c) Turn lock nuts on bolts. **Tighten to 5 ft. lbs. (or 50 inch lbs.)**
NOTE: Overtightening may cause bracket deflection, leading to difficulty with plow mount installation.



a) Under ATV frame, insert rear mount prongs (one on each side) onto ATV frame and push toward rear as shown.



b) At front, lift mount up and align mount holes with bracket holes. Slide mount pin all the way through to secure mount.



c) With mount positioned in place as shown, (and pin fully inserted) attach hitch pin clip. Installation is now complete.