

COMPONENTS: (2) Tarp safety cords, (2) Brackets, (4) 3/8" x 1" Self-threading bolts, (4) Lock washers, (4) Hex nuts

WIDE TARP SAFETY CORD INSTRUCTIONS

TOOLS NEEDED: Tape measure, marking pen, drill with 5/16" bit, 9/16" wrench and protective eyewear

CAUTION: Even though tarp safety cords provide wind protection, ensure you operate tarp system cautiously in wind. Periodically inspect cord conditions.

Periodically check for loose bolts and nuts, tighten if needed.

See inside for instructions.

- Protect your tarp from wear and wind damage
- Tarp continues to roll open and close freely
- Universal fit on 104 to 168 in. wide trailers

Reorder #4005445

WIDE ROLTECTION™ TARP SAFETY CORDS

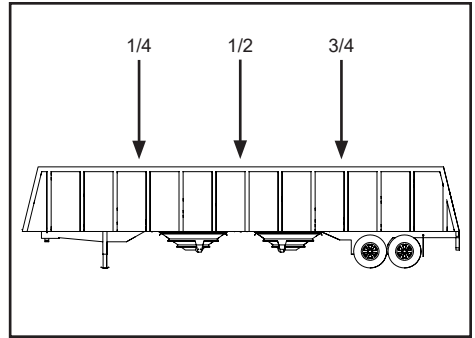


TARP SAFETY CORD INSTRUCTIONS

A. Measure and divide box length into sections based on number of cords to install:

- If two cords, mark box on both sides approximately 1/4 and 3/4 from front.
- If three or more cords, divide box length into equal sections and mark on both sides.

NOTE: Always position cord in-between rivets if present.



B. On tarp stop side at first marked section, locate closest structural rib. Then perform one of the following with end of cord connected to bracket:

- If tarp stop is present at location, cord can be fastened to tarp stop hole with existing hardware.
- If not, mark right below tarp and drill 5/16" hole. Fasten bracket to box with self-threading bolt.

C. Position cord over tarp to opposite side of box, then repeat Steps B-C for each cord.



D. On latch plate side, unroll tarp to hang down. Locate structural rib or vertical row of rivets directly across from cord attached on tarp stop side.

E. With free end of cord reaching 6" below roll tube, tie overhand loop knot in cord, pull tight, then cut off tail.

F. Attach bracket to cord with cow hitch knot.

TIP: Refer to orientation of preassembled side of cord.

G. Position cord under roll tube straight and snug. Then measure up 5" from cord end and mark hole location.

IMPORTANT: Verify cord ends are directly across from each other.

H. Drill 5/16" hole at marked location and secure bracket flat against box with 3/8" x 1" self-threading bolt.

IMPORTANT: Secure bolt with lock washer and hex nut when possible.

I. Repeat Steps D-H for each cord.

