

opposite side.

C. Attach trim plate with studs and nylock flange nuts. Tighten nylock flange nuts with 7/16" socket. Repeat on

to mark holes.

NOTE: If no pin holes are present, use template provided

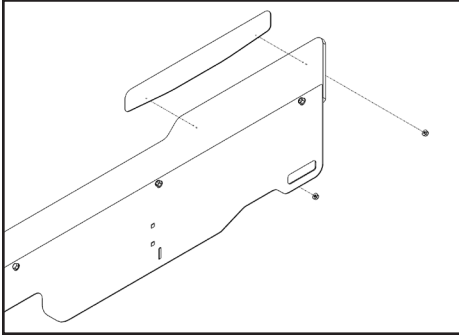
B. Locate pin holes in mud flap, drill holes using 5/16" bit.

A. Place mud flaps on flat work surface (remove from vehicle if necessary) with rear side up.

OPTIONAL TOOLS: Marking pen and scissors

TOOLS: Protective eyewear, drill with 5/16" bit and ratchet with 7/16" socket

TRIM PLATE INSTALLATIONS



TOW FLAP TRIM PLATES

- Adds style
- Simple installation
- Mirrored finish trim plate and stainless steel hardware

